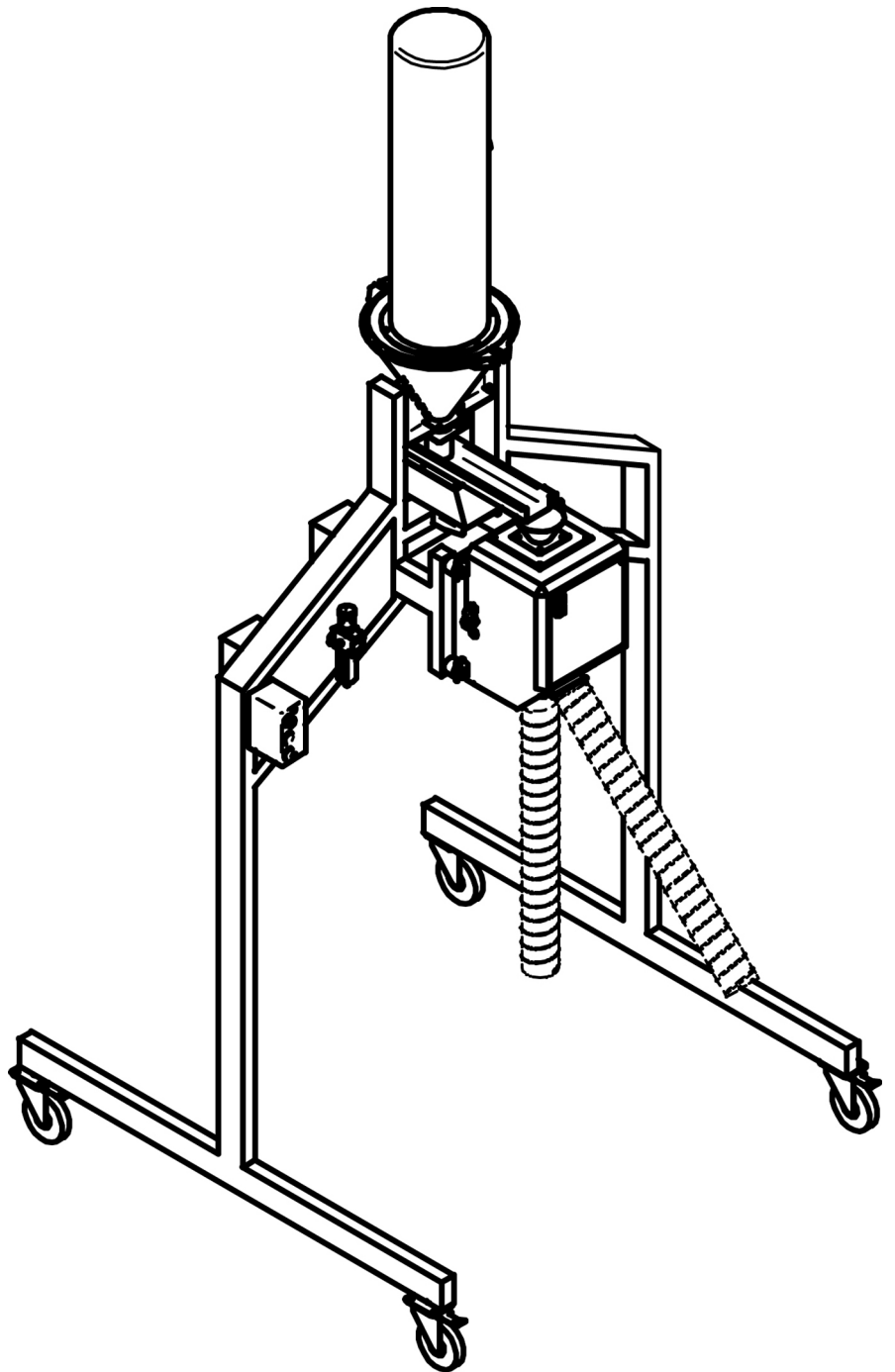


# RESEPARATION SYSTEM

Version 11/18



System for reclamation  
of metal polluted material


- **Reliable** - in Process and Detection
- **Durable** - in Technology and Performance
- **Easy** - in Installation and Handling


## In a few words:

- Digital signal processing for best detection
- Process- and condition monitoring
- Precisely adjustable separation performance
  
- High quality, low-wear system components
- Robust construction for maximum lifetime
- Maintenance friendly construction
  
- Autonomous operation without personnel
- Set up with just a few steps
- Convey, dose and separate



 **Mesutronic Gerätebau GmbH**

 Hackenfeld 13  
94259 Kirchberg im Wald  
Germany

 Phone: +49 9927 9410-0  
Fax: +49 9927 1732

 E-Mail: [sales@mesutronic.de](mailto:sales@mesutronic.de)  
Web: [www.mesutronic.de](http://www.mesutronic.de)

**MESUTRONIC**  
*Metal Detection made in Germany*